

DHU10947 (IPC-HDBW8281-Z)

2MP Starlight Ultra-smart Network (IR) Dome Camera



Features

- 1/1.9" 2 Megapixel progressive scan CMOS
- Supports H.264,MJPEG dual codec
- Smart triple streams supported
- Max 50/60fps@1080P
- Light-Hunt: 0.005Lux/F1.65 (Color)
- Ultra WDR (Wide Dynamic Range) up to 120dB
- Ultra 3D DNR
- Ultra Defog, ROI, EIS
- Smart detection
- Intelligent Function
- 4~8mm varifocal motorized lens
- Micro SD memory,IP66,IK10,PoE

DHU10947 (IPC-HDBW8281-Z)

Technical Specifications

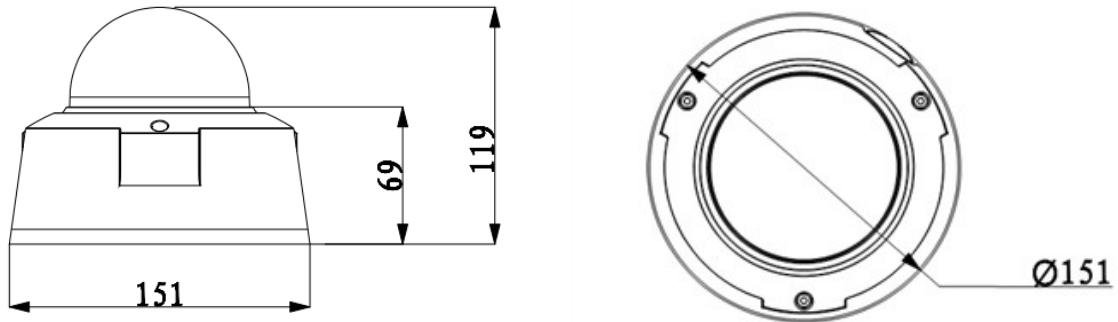
Model	IPC-HDBW8281-Z	
Camera		
Image Sensor	1/1.9" 2Megapixel progressive scan Exmor CMOS	
Effective Pixels	1920(H)x1080(V)	
Scanning System	Progressive	
Electronic Shutter Speed	Auto/Manual 1/3(4)~1/10000	
Min. Illumination	0.005Lux/F1.65 (Color), 0Lux/F1.65(IR on)	
S/N Ratio	More than 50dB	
Video Output	1 port	
Camera Features		
Max. IR LEDs Length	30m	
Day/Night	Auto(ICR)/Color/B/W	
Backlight Compensation	BLC / HLC / WDR(120 dB)	
White Balance	Auto	
Gain Control	Auto/Manual	
Noise Reduction	3D	
Privacy Masking	Up to 4 areas	
Lens		
Focal Length	4~8mm	
Max Aperture	F1.65	
Focus Control	Auto	
Angle of View	H: 105°(Wide)~56°(Tele)	
Lens Type	Motorized /Auto Iris(DC)	
Mount Type	Board-in Type	
Video		
Compression	H.264 / MJPEG	
Resolution	1080P(1920×1080) / 720P(1280×720) /D1(704×576) /CIF(352×288)	
Frame Rate	Main Stream	1080P/720P(1~50/60fps)
	Sub Stream	D1/CIF(1 ~ 50/60fps)
	Third Stream	1080P/720P/D1(1~25/30fps)
Bit Rate	H.264: 32K ~ 8192Kbps	
Audio		
Compression	G.711a / G.711u	
Interface	1/1 channel In/Out	
Smart Function		
Smart detection	Tripwire	
	Intrusion	
	Scene change	
	Missing/Abandoned	
Intelligent function	Audio detect	
	People counting	

DHU10947 (IPC-HDBW8281-Z)

	Heat map
Network	
Ethernet	RJ-45 (10/100Base-T)
Wi-Fi	N/A
Protocol	IPv4/IPv6, HTTP, HTTPS, SSL, TCP/IP, UDP, UPnP, ICMP, IGMP, SNMP, RTSP, RTP, SMTP, NTP, DHCP, DNS, PPPOE, DDNS, FTP, IP Filter, QoS, Bonjour
ONVIF	ONVIF PSIA CGI
Max. User Access	20 users
Smart Phone	iPhone, iPad, Android, Windows Phone
Auxiliary Interface	
Memory Slot	Micro SD, Max 64GB
RS485	N/A
Alarm	1/1 channel In/Out
PIR Sensor Range	N/A
General	
Power Supply	DC12V/AC24V, PoE(802.3af)
Power Consumption	<12W (IR on: +2W)
Working Environment	-30°C~+60°C , Less than 95%RH
Ingress Protection	IP66
Vandal Resistance	IK10
Dimensions	Φ151mm×119mm
Weight	1.25kg

DHU10947 (IPC-HDBW8281-Z)

Dimensions (mm)



Accessories (optional)

				
PFA100	PFB302S	PFA132	PFA152	PFA151

*Design and specifications are subject to change without notice.

© 2014 Dahua Technology Co., Ltd.



seadan
security & electronics



VIC Unit 7, 170 Forster Road, Mt Waverley VIC 3149
NSW Unit 5, 142 James Ruse Drive, Parramatta NSW 2150
QLD 15-19 Hudson Road, Albion QLD 4010
WA Unit 4, 200 Balcatta Road, Balcatta WA 6021
ACT Unit 2, 157-161 Gladstone Street, Fyshwick ACT 2609

You're in very secure company

1300 366 851 | seadan@seadan.com.au

20160912